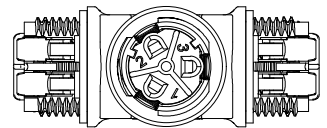
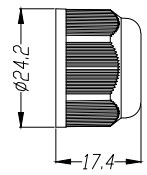
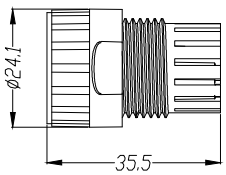
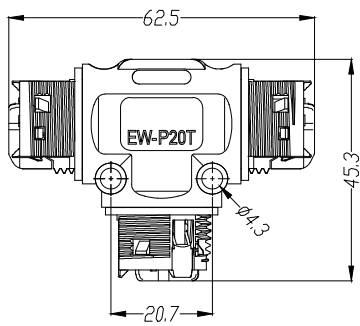


Raw Material	PA66、COPPER ALLOY、SILICONE
CERTIFICATION	CQC/TUV/RoHS/CE
Flame-resistant rating	UL94 V-2
Level of protection	IP68
Voltage rating/Current rating	450V / 16A
Withstanding voltage	1500V
Cable gauge	0.5mm ² ~2.5mm ²
Operating temperature	-40℃ ~+105℃

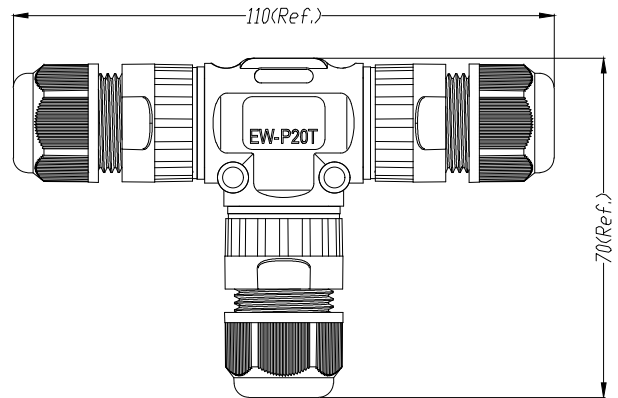
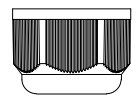
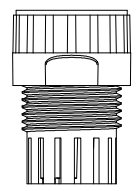
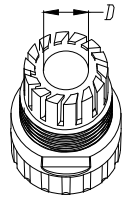


3Pin



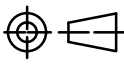
Part Number	Rubbers Diameter	Outer Cable Diameter
EW-P20T-03302BB11	∅11.5mm	∅9-12mm
EW-P20T-03302BB8	∅8.5mm	∅5-9mm

Rubbers Diameter



Weight	MEAS	Each carton number	G. W.
61g	42x30x34cm	250 pcs	17.5kg

TOLERANCE UNSPECIFIED		
X. ±0.35	X.XX ±0.10	X.° ±3°
X.X ±0.20	X.XXX ±0.05	X.X° ±2°
		X.XX° ±1°



UNIT	mm	DRAW	EDDIE / 2022.03.31	PART NO	EW-P20T-03302BB##
SCALE	1:1	CHKD		DWG NO	EW-P20T-03302BB##
SHEET	1/1	APPD		TITLE	EW-P20T-3P_WATERPROOF_CONNECTOR